

Measurement Stand V12 MOT

For automated, precise and reproducible Measurements.



Description

Measurement stand for automated coating thickness measurements on small parts, such as fasteners, stampings, sleeves etc. or parts with complex geometry. The measurement stand V12 MOT is a motorized stand, into which a probe can be clamped. It can be controlled directly by the stand keys or from the instrument FISCHERSCOPE® MMS® PC2.

Performance

Motorized probe lowering device.

The Teach-In function of the stand automatically detects the probe contact position for soft probe engagement on the specimen's surface during a test run. This information will be used for further measurements to place the probe very softly on the specimen's surface by slowing down the lowering speed shortly before the probe attaches the surface.

The stand head can be swivelled up to +/- 60°, snap-in positions both to the right and to the left at 0°, 30° and 60°.

Control Functions

Manual control
directly at the stand

1 Measurement
5 Measurements
Continuous operation (until manual shutdown)
Teach-In function (automatic detection of the probe contact position for soft probe engagement on the specimen's surface)

Automatic control
from the MMS® PC2

Selectable number of cyclical measurements (1 to unlimited = continuous operation)
Residence time for lifted and placed probe position
Teach-In function (disabled, detection of the probe touch down position once before the measuring cycle or before every measurement capturing)

Ordering Information

604-374

Measurement stand V12 MOT with motorized probe lowering device and Teach-In function

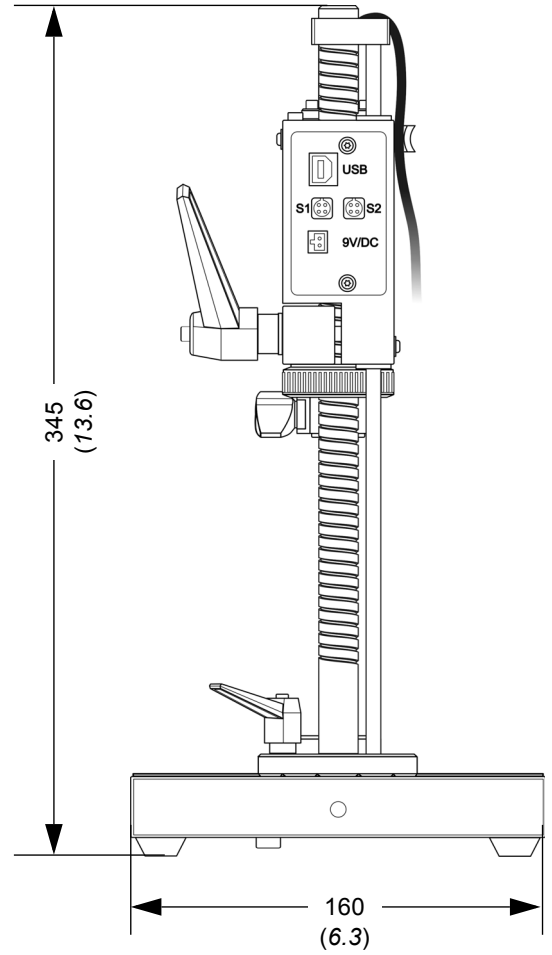
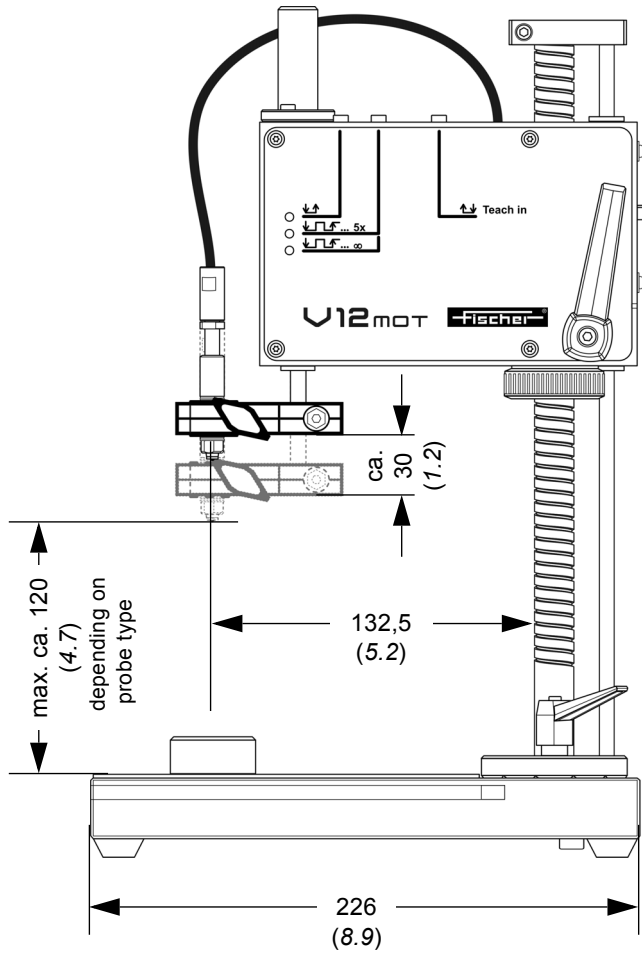
Scope of Supply

Measurement stand
3 clamping devices for Fischer standard axial probes with \varnothing 18, 13 and 10 mm,
1 even table for small parts,
1 V-table for small parts,
1 stop device,
1 Allen wrench for fixing/mounting the probe clamping device and the tables for small parts
AC adapter for power supply (100 - 240 Vac, 47 - 63 Hz), with exchangeable plug adapters (Euro standard, US standard, UK standard)

Weight and Dimensions

Weight 4.8 kg (10.6 lb) including AC adapter

Dimensions in mm (*inch*)





Helmut Fischer GmbH Institut für Elektronik und Messtechnik, 71069 Sindelfingen, **Germany**, Tel. +49 70 31 30 30, mail@helmut-fischer.de
Fischer Instrumentation (GB) Ltd, Lymington/Hampshire SO41 8JD, **England**, Tel. +44 15 90 68 41 00, mail@fischergb.co.uk
Fischer Technology, Inc., Windsor, CT 06095, **USA**, Tel. +1 (860) 683 07 81, info@fischer-technology.com

Helmut Fischer AG, CH-6331 Hünenberg, **Switzerland**, Tel. +41 41 785 08 00, switzerland@helmutfischer.com
Fischer Instrumentation Electronique, 78180 Montigny le Bretonneux, **France**, Tel. +33 1 30 58 00 58, france@helmutfischer.com
Helmut Fischer S.R.L., Tecnica di Misura, 20128 Milano, **Italy**, Tel. +39 0 22 55 26 26, italy@helmutfischer.com
Fischer Instruments, S.A., 08018 Barcelona, **Spain**, Tel. +34 9 33 09 79 16, spain@helmutfischer.com
Helmut Fischer Meettechniek B.V., 5627 GB Eindhoven, **The Netherlands**, Tel. +31 40 248 22 55, netherlands@helmutfischer.com
Fischer Instruments K.K., Saitama-ken 340-0012, **Japan**, Tel. +81 4 89 29 34 55, japan@helmutfischer.com
Fischer Instrumentation (Far East) Ltd, Kwai Chung, N.T., **Hong Kong**, Tel. +852 24 20 11 00, hongkong@helmutfischer.com
Fischer Instrumentation (S) Pte Ltd, Singapore 658065, **Singapore**, Tel. +65 62 76 67 76, singapore@helmutfischer.com
Nantong Fischer Instrumentation Ltd, Shanghai 200333, **P.R. China**, Tel. +86 21 32 51 31 31, china@helmutfischer.com
Fischer Measurement Technologies (India) Pvt. Ltd, Pune 411036, **India**, Tel. +91 20 26 82 20 65, india@helmutfischer.com

www.helmut-fischer.com